

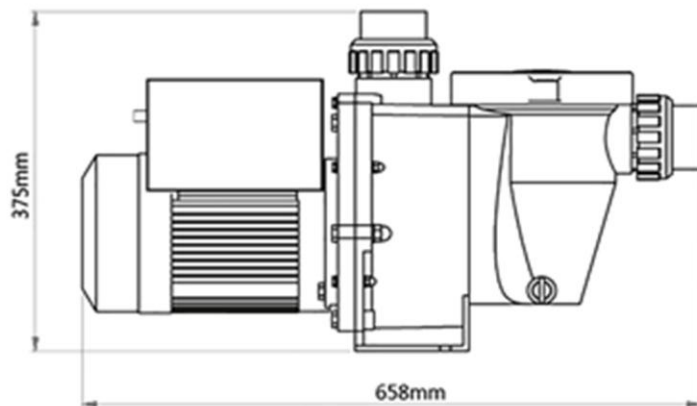
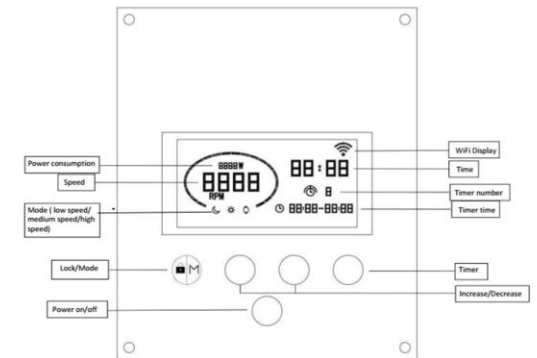
# VFP300 Variable Speed Pump



The VFP300 Variable Speed Pump with energy savings of up to 80% versus a regular pumps ; 3 speed options, makes your energy saving plan more preciously. Support one-touch-unlock & 4 timer settings, help you to manage other pool machine connections; LED display controller, easy to read and operating , the best choice for Smart-home pool builders and pool owners. Suitable for Pool, Spa, Water Features, Heating System, ORP and PH Testing and dispensing System, Salt Chlorine Generator, Automatic Cleaners.

- IP55 protection grade.
- Super quiet, nearly no noise
- NSK bearing inside.
- F insulation grade.
- Rainproof standard.
- Easy to install and operate.

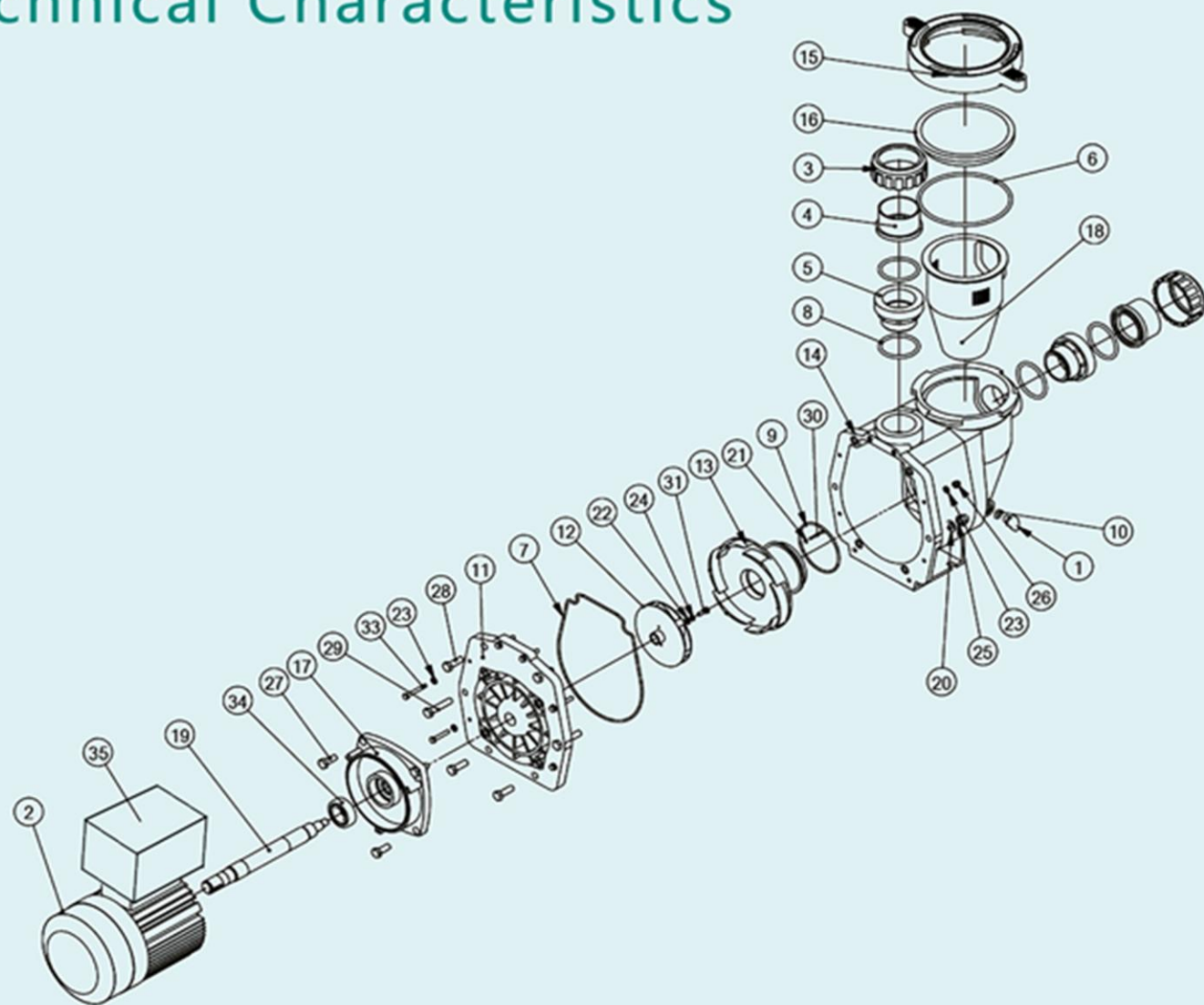
Low speed	1200~1650rpm	1400rpm
Medium speed	1700~2400rpm	2000rpm
High speed	2450~2900rpm	2900rpm



Model	Voltage	Speed	Power ( KW ) ( HP )		Hmax ( m )	Qmax ( m³/h )	Port Size ( mm )
VFP300	220V	1600	0.4	0.5	5.0	19	63/2.0"
		1900	0.6	0.75	7.0	21	
		2200	0.9	1.2	10.0	25	
		2500	1.3	1.8	13.0	29	
		2800	1.8	2.5	17.0	32	

# VFP300 Variable Speed Pump

## Technical Characteristics



- 01 Plug
- 02 Motor
- 03 Union Nut
- 04 Lining
- 05 Union
- 06 O ring
- 07 O ring
- 08 O ring
- 09 O ring
- 10 O ring
- 11 Flange
- 12 Impellor
- 13 Diffuser
- 14 Body
- 15 Cap
- 16 Transparent Lid
- 17 Flange
- 18 Filter Net
- 19 Motor Axis
- 20 Washer
- 21 Washer
- 22 Washer
- 23 Washer
- 24 Spring Washing
- 25 Cap
- 26 Cap
- 27 Bolt
- 28 Bolt
- 29 Bolt
- 30 Bolt
- 31 Bolt
- 32 Bolt
- 33 Bolt
- 34 Bolt
- 35 Controller